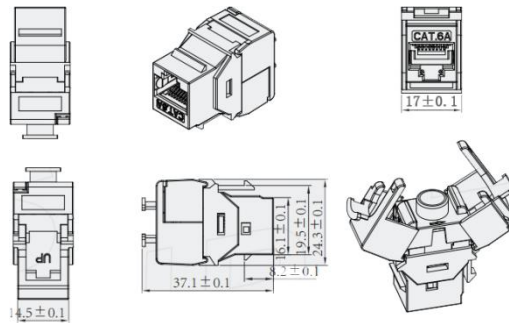




Part Number: BLK-1031S-C7

Cat.7 STP Keystone Jack, 180° , Toolless

## Structure



## Technical Specifications

### Physical Characteristics (Overall)

Material	
Housing material	ZINC ALLOY
Insert material	FLAME RETARDANT PC
PCB material	FR-4T=1.2mm
Contact material	Phosphor bronze stamp PIN T=0.35mm
IDC contact material	Phosphor bronze T=0.50mm WITH TIN PLATING
RJ45 JACK LIFE	750 TIMES MIN
IDC LIFE	200 TIMES MIN
Storage ENVIRONMENTAL	-40°TO +70°
Operation	-10°TO 60°

### Electrical characteristics

Voltage rating	125 VAC RMS
Current rating	1.5 AMP
WIRE	AWG 22~24
TIA Cat 6A Perm	Link Test: Worst pair NEXT margin $\geq$ 3.0dB
Contact resistance	20 Milliohms MAX
Insulation resistance	100 Megohms MIN @ 500 VDC
Dielectric strength	750 VAC RMS 60Hz, 1MIN