

Single Open Rack

Standard:

Comply with ANS/EIA, RS-310D, IEC297-2, DIN41491, PART1, DIN41494, PART7, GB/T3047.2-92 ETSI standard.

Feature:

- 19" standard installation, adjustable rack height;
- Modular design, easily assemble and disassemble for delivery, low cost;
- Various optional accessories, easy to fix and maintain, stable and strong structure;
- Adjustable feet and heavy duty castors are available at the same time, convenient to move or fix.

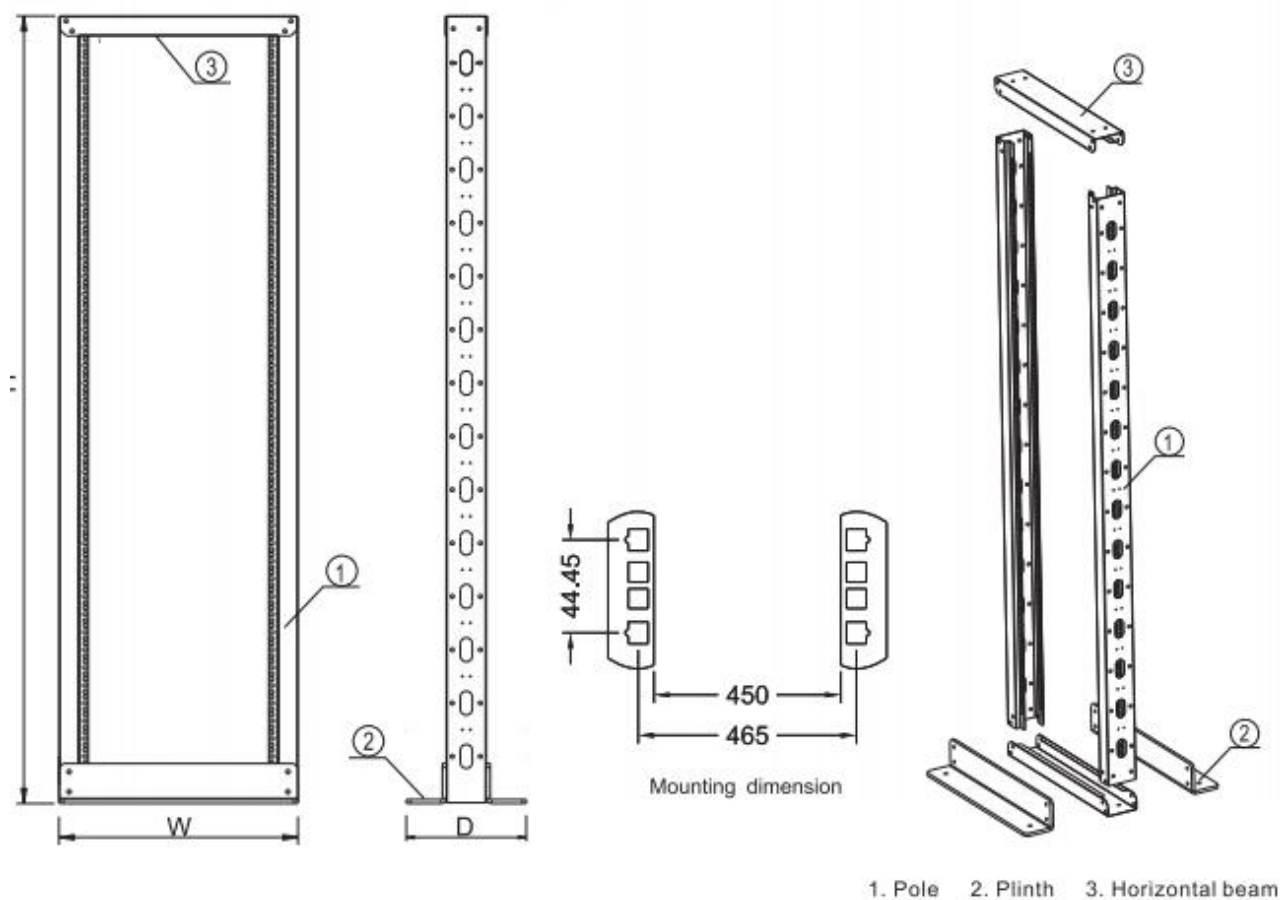
Physical Characteristics

Bolein Single Open Rack	
Depth * Width	300mm * 600mm
Material	SPCC cold rolled steel
Surface finish	Degreasing, phosphoric, powder coated
Color	Black RAL9004 / Grey RAL7035
Main parts	Pole, plinth, horizontal beam, screw
Optional accessories	Fixed shelf, PDU, cable management slot, keyboard panel, blank panel, etc.

Product Details



Structure



Main Parts

S/N	Specification	Quantity	Unit	Material	Surface finish	Remark
1	Pole	2	Piece	SPCC cold rolled steel t1.5	Powder coated	—
2	Plinth	2	Piece	SPCC Cold rolled steel t6.0	Powder coated	—
3	Horizontal beam	2	Piece	SPCC Cold rolled steel t1.5	Powder coated	—
4	Inner 6-angle screw&nuts	20	Set	—	—	—
5	Allen wrench	1	Piece	—	—	—

Dimension

Part NO.	Description	Capacity(U)	Width(mm)	Depth(mm)	Height(mm)
BLCR-S622	Open Rack, Single, 22U	22U	600	300	1078
BLCR-S627	Open Rack, Single, 27U	27U			1300
BLCR-S632	Open Rack, Single, 32U	32U			1523
BLCR-S637	Open Rack, Single, 37U	37U			1745
BLCR-S642	Open Rack, Single, 42U	42U			1967
BLCR-S647	Open Rack, Single, 47U	47U			2189